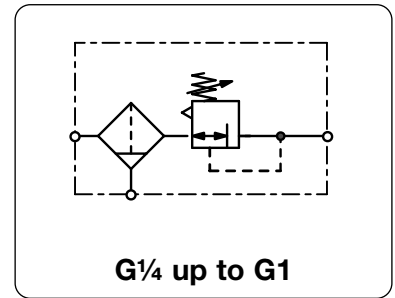


FILTER PRESSURE REGULATOR MADE OF PLASTIC

B042... B095

Description	Modular pressure filter regulator which can be interlocked with all other instruments of the same series.		
Media	compressed air or non-corrosive gases		
Supply pressure	max. 12,5 bar, max. 16 bar for Series 042		
Adjustment	by knob with snap-lock		
Relieving function	relieving		
Gauge port	G $\frac{1}{8}$ or G $\frac{1}{4}$ at series 095, on both sides of the body, screw plugs supplied		
Filter element	20 μ m, optionally 5 μ m, made of sintered polyethylene		
Bowl	plastic version with bayonet catch, threaded connection at series 042		
Drainage	manual drain with semiautomatic drain, optionally automatic drain		
Temperature range	0 °C to 50 °C / 32 °F to 122 °F		
Material	Body: nylon, POM at series 042	Inner valve: brass	
	Bowl: polyamide	Thread insert: brass	
	Elastomer: NBR/Buna-N		



Dimensions			Bowl		Flow rate	Supply max.	Connection thread	Order number
A	B	C	Design	Capacity				
mm	mm	mm	made of/with	l	m 3 /h*1	l/min*1	bar	G

Plastic filter regulator					manual drain with semiautomatic drain, relieving, max. 12,5/16 bar w/o gauge, pressure range 0...8 bar, 20 μ m filter element			B0	
42	207	126	plastic/	0.02	72	1200	16	G $\frac{1}{4}$	B042-02HC
52	239	148	bowl guard	0.04	120	2000	12.5	G $\frac{3}{8}$	B050-03HC
52	239	148		0.04	126	2100	12.5	G $\frac{1}{2}$	B052-04HC
63	276	173		0.10	168	2800	12.5	G $\frac{1}{2}$	B075-04HC
137	276	173		0.10	174	2900	12.5	G $\frac{3}{4}$	B080-06HC
195	411	237		0.20	828	13800	12.5	G1	B095-08HC

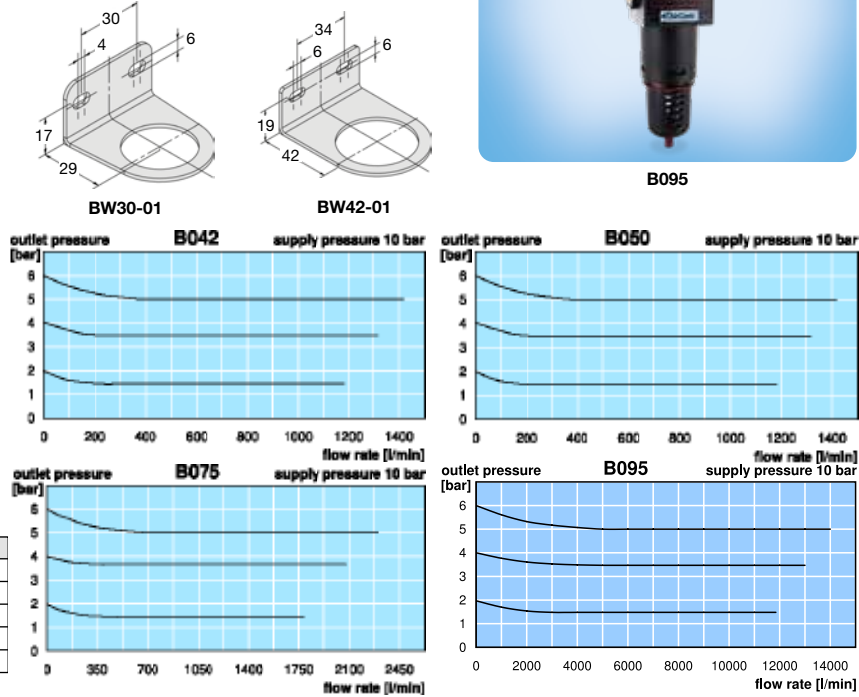
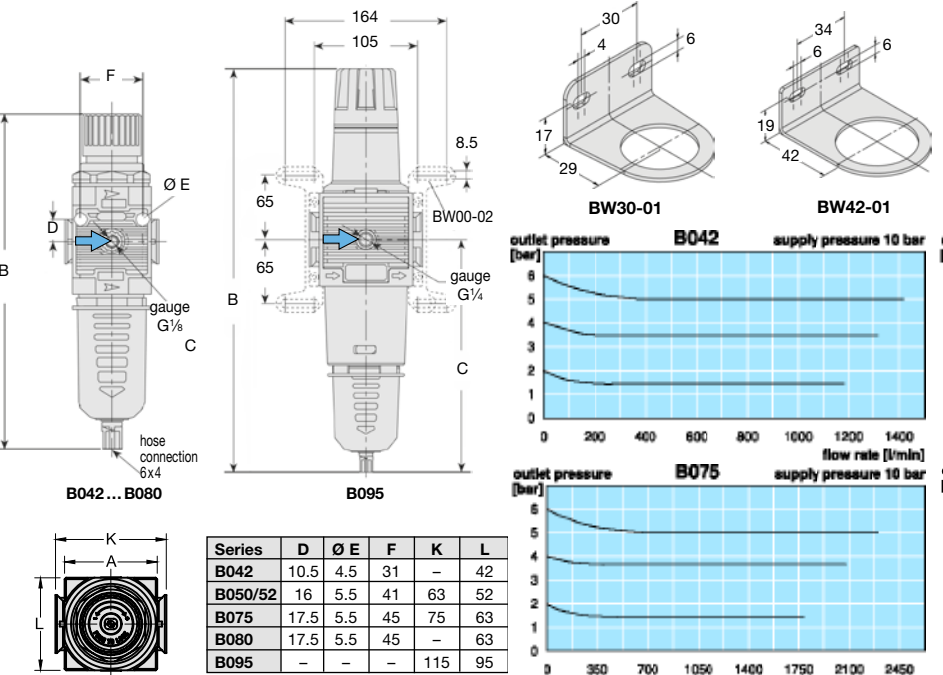


Special options, add the appropriate letter

5 μ m filter element		B0..-0.G.
non-relieving	without relieving function	B0..-0...K
0... 4 bar regulating range		B095-0..B
0...12 bar regulating range		B095-0..D
automatic drain		B0..-0...R

Accessories, enclosed

pressure gauge	\varnothing 40 mm, 0...*2 bar, G $\frac{1}{8}$	for B042	MA4001-...*
	\varnothing 50 mm, 0...*2 bar, G $\frac{1}{8}$	for B050 to B080	MA5001-...*
	\varnothing 63 mm, 0...*2 bar, G $\frac{1}{4}$	for B095	MA6302-...*
mounting bracket	made of steel, mounting nut at the device	for B042	BW30-01
		for B050 to B080	BW42-01
		for B095	BW00-02



*1 at 10 bar supply pressure, 6 bar outlet pressure and 1 bar pressure drop *2 04 = 0...4 bar, 10 = 0...10 bar, 16 = 0...16 bar * Product group

Extensions: see chapter for FRL service units PDF CAD Order example: B042-02HC
 Gauges: see chapter for measuring devices www.aircom.net